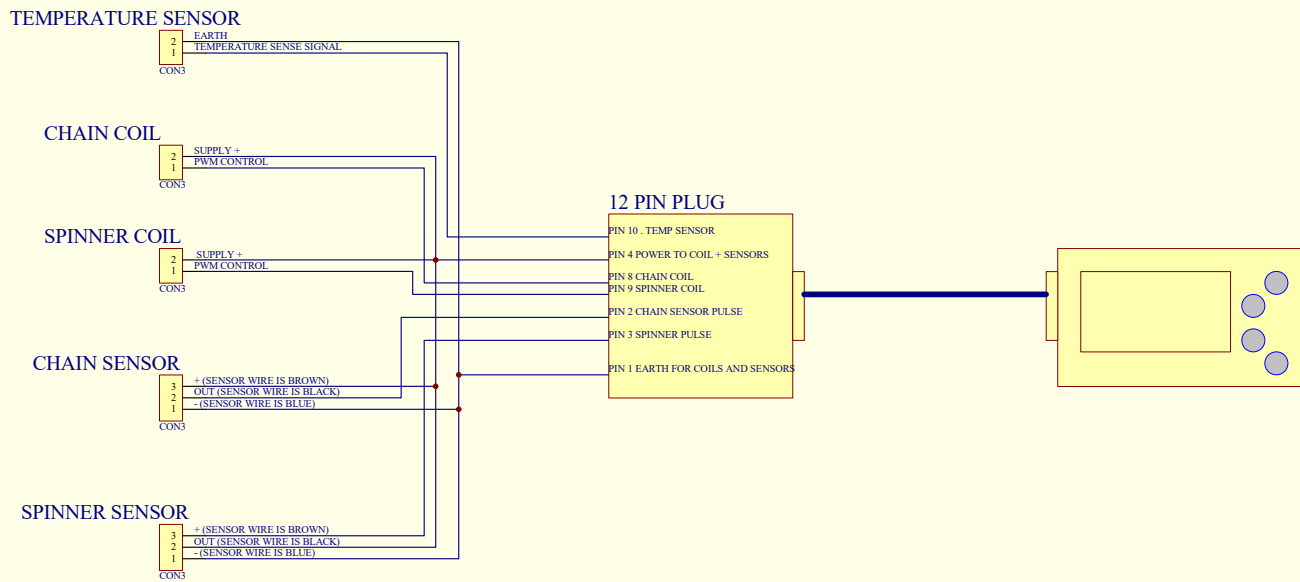


## FIELDMATE SPREADER CONTROLLER



Title		
Size B	Number	Revision
Date: 3-Nov-2017	Sheet of	
File: C:\G-TECH\PRODUCTS\FieldMate\PCB\spreader.dwg		